



MARK ROBERTS MOTION CONTROL

MRMC ARC-360 PTZ



QUICK START GUIDE

QSG Product code: MRMC-2225-00

Covered Products: MRMC-2175-02, MRMC-2185-01, MRMC-2289-01,
MRMC-2317-00

MRMC ARC-360 PTZ Quick Start Guide

QSG Product code: MRMC-2225-00

Covered Products: MRMC-2175-02, MRMC-2185-01, MRMC-2289-01,
MRMC-2317-00

Document Version: v05072024

© 2023 Mark Roberts Motion Control Ltd. All rights reserved.

No part of this publication may be reproduced, transmitted, or translated by any means — graphical, electronic, or mechanical — including photocopying, recording, taping, or storage in an information retrieval system, without the express written permission of Mark Roberts Motion Control.

Although every care has been taken to ensure that the information in this document is accurate and up to date, Mark Roberts Motion Control continuously strives to improve their products and may make changes to the hardware, firmware, and software described in this document. Mark Roberts Motion Control therefore cannot be held responsible for any error or omission in this document.

All product names mentioned herein are the trademarks or registered trademarks of their respective owners.

Contact information	
Mark Roberts Motion Control Ltd.	
Unit 3, South East Studios	
Blindley Heath	
Surrey	
RH7 6JP	
United Kingdom	
Telephone:	+44 (0) 1342 838000
E-mail:	info@mrmoco.com (sales and general enquiries) broadcast.support@mrmoco.com (customer support)
Web:	www.mrmoco.com www.mrmocorentals.com

Contents

Chapter 1	Quick Start.....	1
	Important safety instructions.....	1
	Power and connections.....	1
	General care.....	1
	Location.....	2
	Intellectual property.....	2
	Overview.....	3
	Setting up the hardware.....	3
	External synchronization function.....	4
	External signal spec.....	4
Appendix 1	Specifications.....	6
	Physical and Performance.....	6
	AF-48 Quick Release System.....	7
	ARC-360 Base Plate.....	9

Chapter 1 Quick Start



Important safety instructions

To ensure the best from the product, please read this manual carefully. Keep it in a safe place for future reference.

To reduce the risk of electric shock, do not remove the cover from the unit. No user serviceable parts inside. Refer servicing to qualified personnel.

Power and connections

- This unit must be connected to a mains socket outlet with a protective earth connection.
- This unit is not disconnected from the AC power source as long as it is connected to the wall outlet.
- When not using the unit for a long period of time, ensure that the AC power cord is disconnected from the wall outlet.
- The AC wall outlet should be installed near to the unit and be easily accessible.
- Do not plug in or attempt to operate an obviously damaged unit.

General care

- Do not force switches or external connections.
- When moving the unit, disconnect the mains cable and then disconnect the long umbilical cable.
- Do not attempt to clean the unit with chemical solvents or aerosol cleaners, as this may damage the unit. Use a clean dry cloth.
- Do not use around flammable gas. All electrical equipment can generate sparks that can ignite flammable gas.
- Keep away from pets and children. The head has powerful motors that can pinch, so take care not to get your hands trapped in the head or cabling.

- Keep cables tidy. Use cable ties to keep them out of harm's way. If you have a head with slip rings then make use of them; avoid running any cables between the base and the rotating head or camera.

Location

Installation of this unit should be away from sources of excessive heat, vibration, and dust.

Intellectual property

This product includes confidential and/or trade secret property. Therefore, you may not copy, modify, adapt, translate, distribute, reverse engineer, or decompile contents thereof.

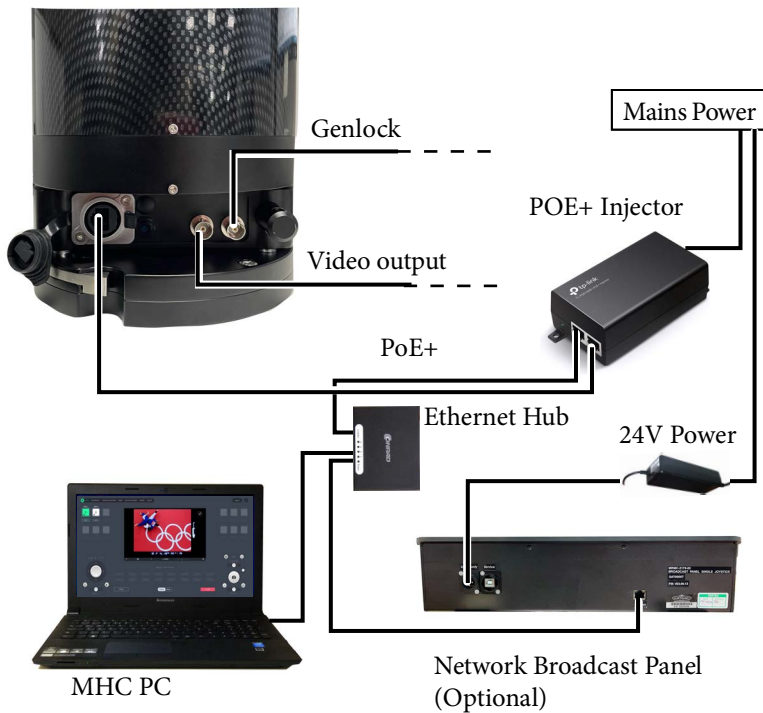
Overview

Thank you for using the MRMC ARC-360 PTZ 3-axis PTZ camera, with driven pan and tilt, from Mark Roberts Motion Control (MRMC). The MRMC PTZ ARC-360 camera is designed to operate in a variety of conditions making it suitable to operate whether up the side of the mountain or on a music stage.

The ARC-360 can be controlled using our MHC software or Polymotion Chat software for automated tracking. It can be mounted overslung or underslung.

Setting up the hardware

ARC-360 PTZ connection panel



External synchronization function

External Synchronisation will start when you a valid synchronisation is connected to the external Genlock BNC. The possible external synchronization combinations are listed below:

Input External Signal format Camera Mode	Tri-state sync		NTSC Black burst	PAL Black burst
	1080/59.94i	1080/50i		
1920x1080/59.94p	o	x	o	x
1920x1080/59.94i	o	x	o	x
1920x1080/50p	x	o	x	o
1920x1080/50i	x	o	x	o
1920x1080/29.97p	o	x	o	x
1920x1080/25p	x	o	x	o
1920x1080/23.98p	x	x	x	x
1280x720/59.94p	o	x	o	x
1280x720/50p	x	o	x	o

External signal spec

- Tri-State SYNC: partial part of SMPTE 240M/274M
- NTSC Black burst: EBU N14/SMPTE RP-154/SMPTE 170M/SMPTE 318M
- PAL Black burst: ITU-R BT.470-6

The H Phase adaption function is not available.

Notes

- If the external synchronization signal is not stable, the unit will not enter the external synchronization mode.
- In the cases below, images or data will be disordered and may malfunction.
 - if you input signals other than the allowed external synchronization signals.
 - if you input external synchronization signals when the external synchronization is not supported.

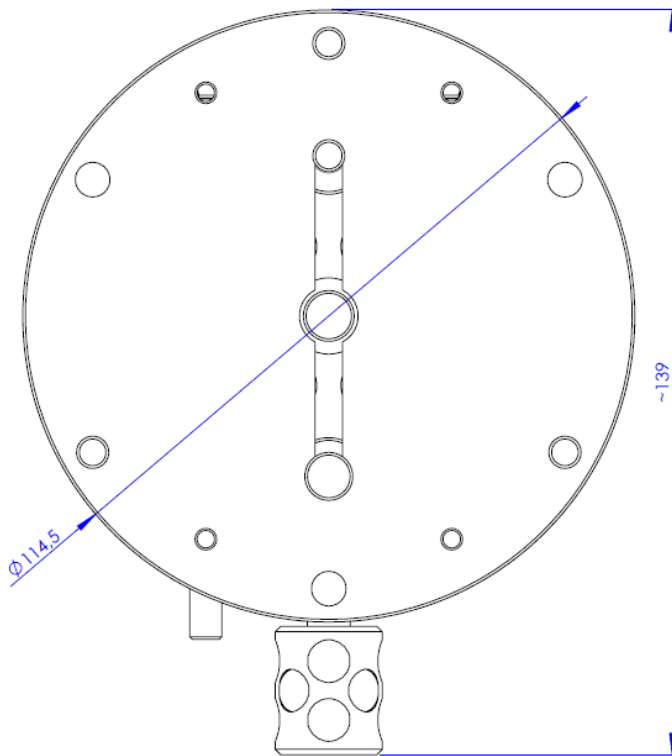
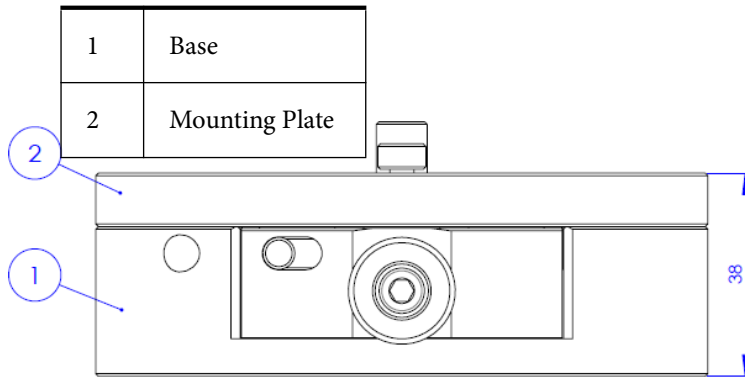
Appendix 1 Specifications

Physical and Performance

Weight	2.5
Dimensions	225mmx155mm
Pan Range of Motion	360° continuous
Tilt Range of Motion	120°
Zoom range	20 x optical zoom (4.1° to 70.2°)
Camera	Camera Sensor: 1/2.5 Exmor R Sensor Active Pixels: Approx 8.51 Megapixels HD Standards: 1080i 59.4/50/60/30 1080p 59.94/50/60/30/29.97 720p 59.94/50/60/30/29.97 HD output (with Genlock capability): SDI Y/Cb/Cr 4:2:2 Iris: F1.6 to 28 (255 steps)
Bi-Directional Repeatability	<3 Arc Min
Operating Temperature Range	-20°C - 40°C
Communications Interface	RJ45: Data or power and data BNC: HD-SDI or 3G-SDI

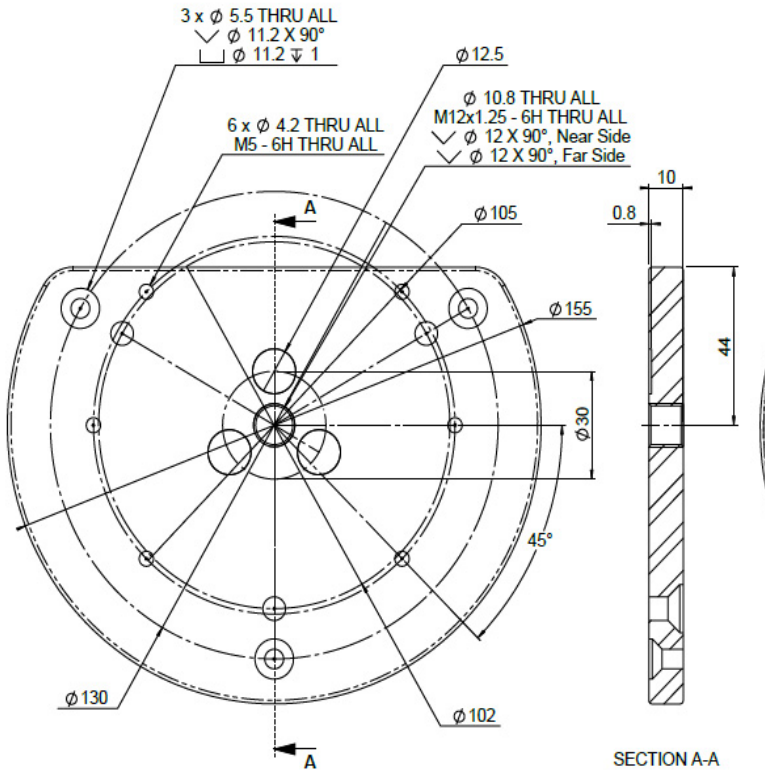
AF-48 Quick Release System

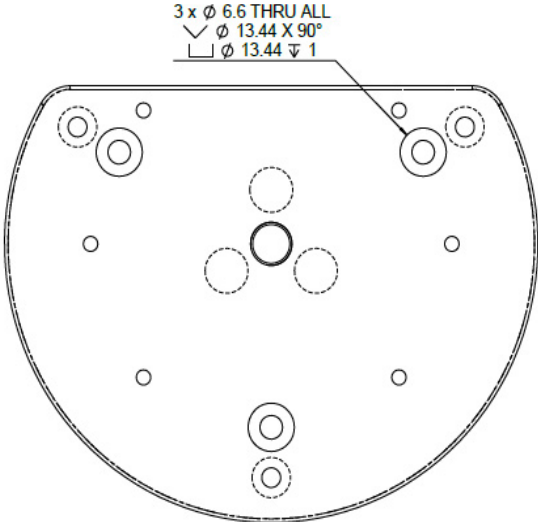






ARC-360 Base Plate





Notes



Mark Roberts Motion Control Ltd.

Unit 3, South East Studios, Blindley Heath, Surrey RH7 6JP

United Kingdom

Telephone: +44 (0) 1342 838000

info@mrmoco.com

www.mrmoco.com

