

# AFC ROBOTIC HEAD



AFC-100S



## KEY FEATURES

- ▶ Light weight
- ▶ Slipping for unlimited pan rotation
- ▶ High level accuracy
- ▶ Lens control capability
- ▶ Camera agnostic

## TECHNICAL INFORMATION

<b>Weight</b>	6.1kg
<b>Camera payload</b>	15kg
<b>Connections on slipping</b>	<ul style="list-style-type: none"> <li>▶ 24Vdc, 3G HD SDI, RJ45 Gigabit Ethernet (1000 BASE-T) (IEEE 802.3ab), tri-level sync connection</li> </ul>
<b>Connections on AFC 100</b>	<ul style="list-style-type: none"> <li>▶ 2X 12Vdc output for accessories</li> <li>▶ Lens motor Lemo connections for Zoom, Focus and Iris</li> <li>▶ RJ45 Gigabit Ethernet (1000 BASE-T) (IEEE 802.3ab)</li> <li>▶ 3G HD SDI Max output 1080p 50/60 FPS (AFC 100 S)</li> <li>▶ 12Vdc output on 4 pin XLR</li> <li>▶ 24 VDC input (AFC 100)</li> <li>▶ Tri-level sync connection (AFC 100 S)</li> <li>▶ Stepper axis for roll ring (AFC 100 S)</li> <li>▶ Serial lens connection (10 pin Hirose)</li> <li>▶ Serial port service connection (10 pin Hirose)</li> <li>▶ 4 pin Lemo trigger (stills camera)</li> </ul>
<b>Power requirements</b>	100 – 240 VAC 16A
<b>Temperature range</b>	0 – 45 Degrees Celcius
<b>Humidity tolerance</b>	0% to 85% relative humidity, non-condensing
<b>Axes speed</b>	<ul style="list-style-type: none"> <li>▶ Pan: 0.001° – 100° per second</li> <li>▶ Tilt: 0.001° – 100° per second</li> <li>▶ Zoom: 0.001° – 60° per second</li> <li>▶ Focus: 0.001° – 60° per second</li> <li>▶ Iris: 0.001° – 60° per second</li> </ul>
<b>Accuracy of playback (angular resolution)</b>	0.5 arc-min
<b>Multi Head Controller software MHC</b>	Available as a 32 bit or 64 bit installer and will need a licence key to activate
<b>Computer requirements</b>	<p>Minimum requirements:</p> <ul style="list-style-type: none"> <li>▶ Windows 10</li> <li>▶ Intel i3 CPU (Intel i5 recommended)</li> <li>▶ 4GB of RAM (8GB recommended)</li> <li>▶ Ethernet adapter</li> <li>▶ A graphics card with support for OpenGL v4.3 or greater</li> </ul>
<b>What's in the box</b>	<ul style="list-style-type: none"> <li>▶ AFC 100 (S)</li> <li>▶ 24V XLR PSU 120W</li> <li>▶ UK 5 amp 2m power cable (IEC)</li> <li>▶ European 2m power cable (IEC)</li> <li>▶ USA 2m power cable (IEC)</li> <li>▶ Cable AFC (10w Hirose m) to Fujinon Lens (20w Hirose m) RS232 80cm</li> <li>▶ Cable AFC (10w Hirose m) to Canon Lens (20w Hirose m) RS422 80cm</li> <li>▶ USB Stick with AFC Documents</li> <li>▶ HD thin cable with 3G HD-SDI - BNC connectors 0.6M</li> <li>▶ 12V 4W XLR PLG to XLR 4W SKT POWER CABLE (0.6m)</li> </ul>

## TECHNICAL INFORMATION

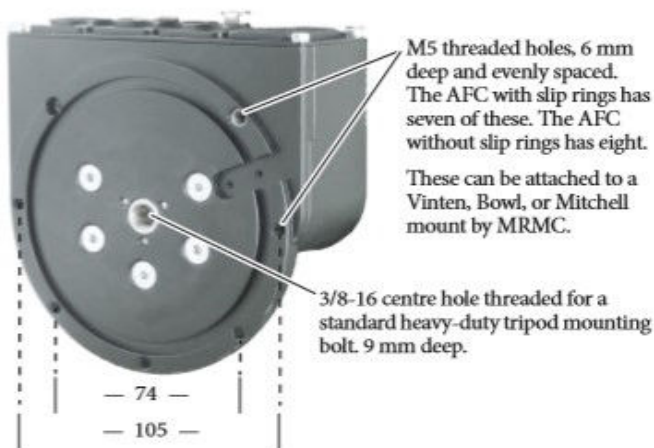
### Standard and Additional accessories for AFC

- ▶ Mini Maxon Motor LCM & arm 32DP & clamp
- ▶ Mini Maxon Motor LCM, 75mm arm & clamp, 32DP
- ▶ AFC Stepper roll system
- ▶ AFC Standard Platform Set (German G/B)
- ▶ Offset mounting plate: allows longer and heavier cameras/lenses to be seated on the head
- ▶ Scaffolding head mounting assembly
- ▶ 110mm RISER for AFC 100S
- ▶ Matt bars for mounting of LCM lens motors
- ▶ Mini Teensy USB Joystick
- ▶ Focus and zoom rings for Nikon lenses: 16-35mm, 24-70mm, 24-120mm, 80-400mm, 200-500mm
- ▶ Fujinon lens cable 20-pin to 10-pin and DC Jack power
- ▶ Cable AFC (10w Hirose m) to Canon Lens (20w Hirose m) RS422 80cm
- ▶ Cable AFC (10w Hirose m) to Canon Lens (20w Hirose m) RS422 100cm

## SIZE

- ▶ Total height – underslung – 350mm (324mm without sliprings)
- ▶ Total height – overslung – 262mm (236mm without sliprings)
- ▶ Total width – 310mm
- ▶ Operational space ~ 600mm<sup>3</sup>

### AFC mounting holes



ACCESSORIES

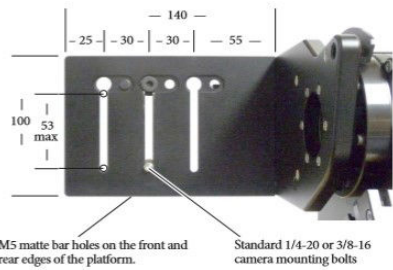
AFC STEPPER ROLL SYSTEM



MINI MAXON MOTOR LCM & ARM 32DP & CLAMP



MOUNTIN PLATE



OFFSET MOUNTING PLATE



110MM RISER FOR AFC 100S



SCAFFOLDING HEAD MOUNTING ASSEMBLY

