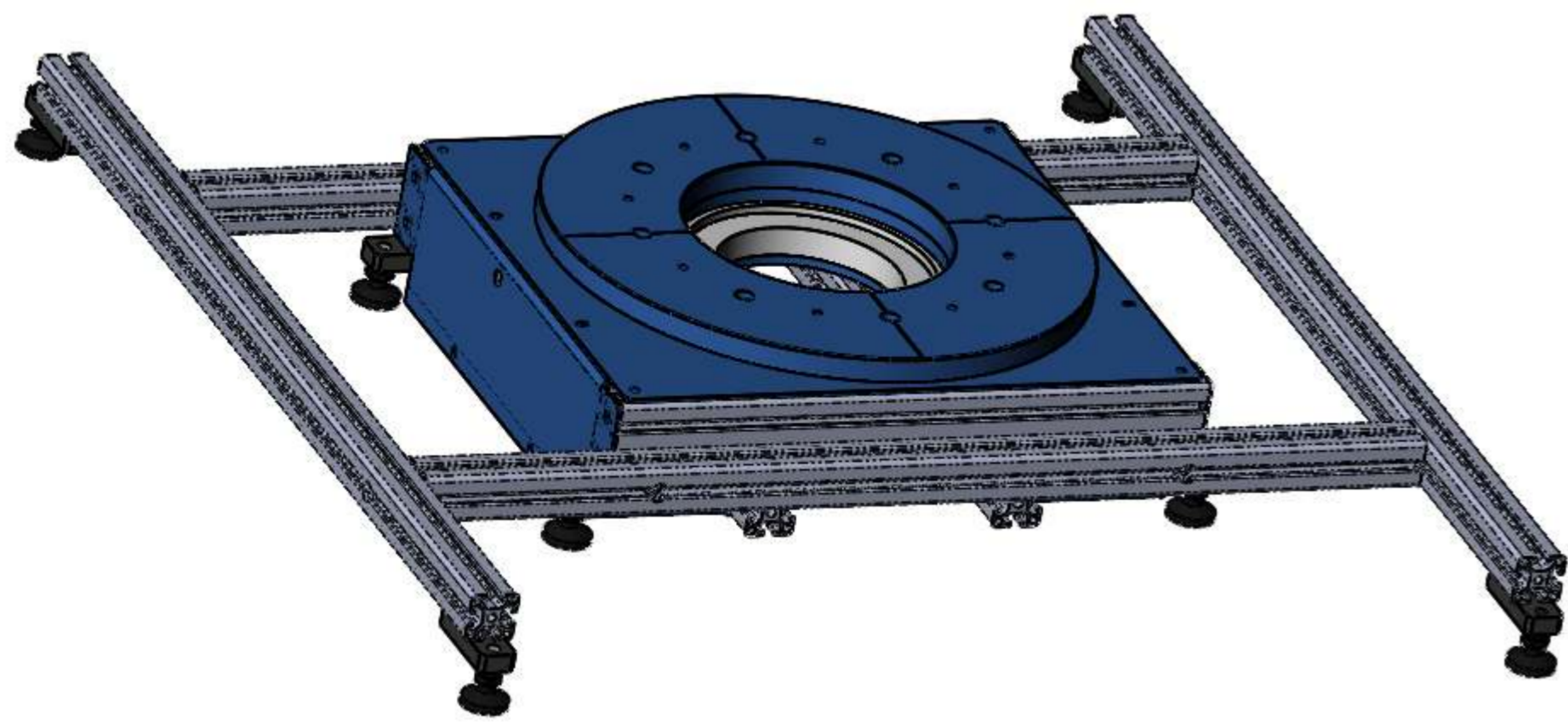
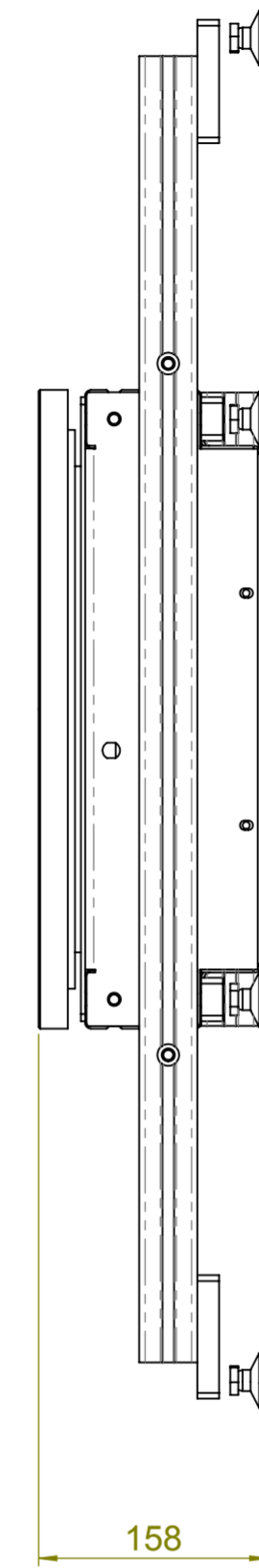


Rotation Speed 90°/s
Load Capacity 200Kg



**BREAK ALL SHARP EDGES & CORNERS
REMOVE FIRST THREAD**
TOLERANCES UNLESS OTHERWISE STATED
APPLICABLE TO LINEAR, ϕ & \ominus

	X	X.X	X.XX
0 - 3	+/- 0.1	+/- 0.05	+/- 0.025
>3 - 6	+/- 0.2	+/- 0.1	+/- 0.05
>6 - 30	+/- 0.3	+/- 0.15	+/- 0.075
>30 - 120	+/- 0.5	+/- 0.2	+/- 0.1
>120 - 315	+/- 0.6	+/- 0.3	+/- 0.15
≥315 - 1000	+/- 1.0	+/- 0.5	+/- 0.2

(P) = 2 X HOLE DEPTH

ANGULAR	X°	X.X°	X.XX°
	+/- 3°	+/- 1°	+/- 0.5°

SURFACE TEXTURE: 3.2MICRONS

REV	DESCRIPTION	DATE	ID
	MARK ROBERTS MOTION CONTROL		
	TEL. 01342 838 005 FAX. 01342 838 001		
	DRG No: MT 000-01	REV:1	QTY: OFF
	PART: MEDIUM LOAD TURNTABLE		
	MATERIAL:	DATE:29/01/2014	
	STOCK SIZE:	SCALE: 1:5 A2	
	FINISH:	SHEET 1 OF 1	
	DRAWN: Ronan Carroll CHECKED:	3rd. ANGLE	